

FAG

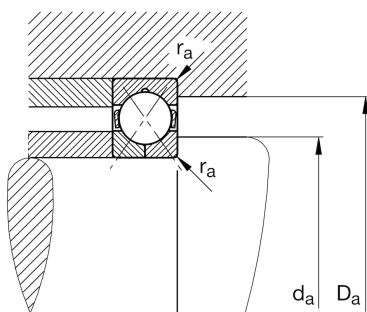
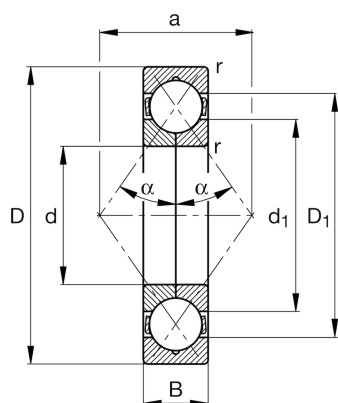
## QJ306-XL-TVP

Four-point contact bearing

Schaeffler ID:  
0167424600000Four point contact bearing QJ3.-XL-TVP,  
X-life, plastic cage

X-life

## Technical information



## Main Dimensions &amp; Performance Data

d	30 mm	Bore diameter
D	72 mm	Outside diameter
B	19 mm	Width
$C_r$	61,000 N	Basic dynamic load rating, radial
$C_{0r}$	43,000 N	Basic static load rating, radial
$C_{ur}$	3,000 N	Fatigue load limit, radial
$n_G$	13,100 1/min	Limiting speed
$n_{gr}$	7,600 1/min	Reference speed
	0.004 kg	Weight

## Dimensions

$r_{min}$	1.1 mm	Minimum chamfer dimension
$D_1$	58 mm	Shoulder diameter outer ring
$d_1$	44 mm	Shoulder diameter inner ring
a	36 mm	Distance between the apexes of the pressure cones
$\alpha$	35 °	Contact angle

## Mounting dimensions

$d_{a min}$	37 mm	Minimum diameter shaft shoulder
$D_{a max}$	65 mm	Maximum diameter of housing shoulder
$r_{a max}$	1 mm	Maximum fillet radius

## Temperature range

$T_{min}$	-30 °C	Operating temperature min.
$T_{max}$	120 °C	Operating temperature max.